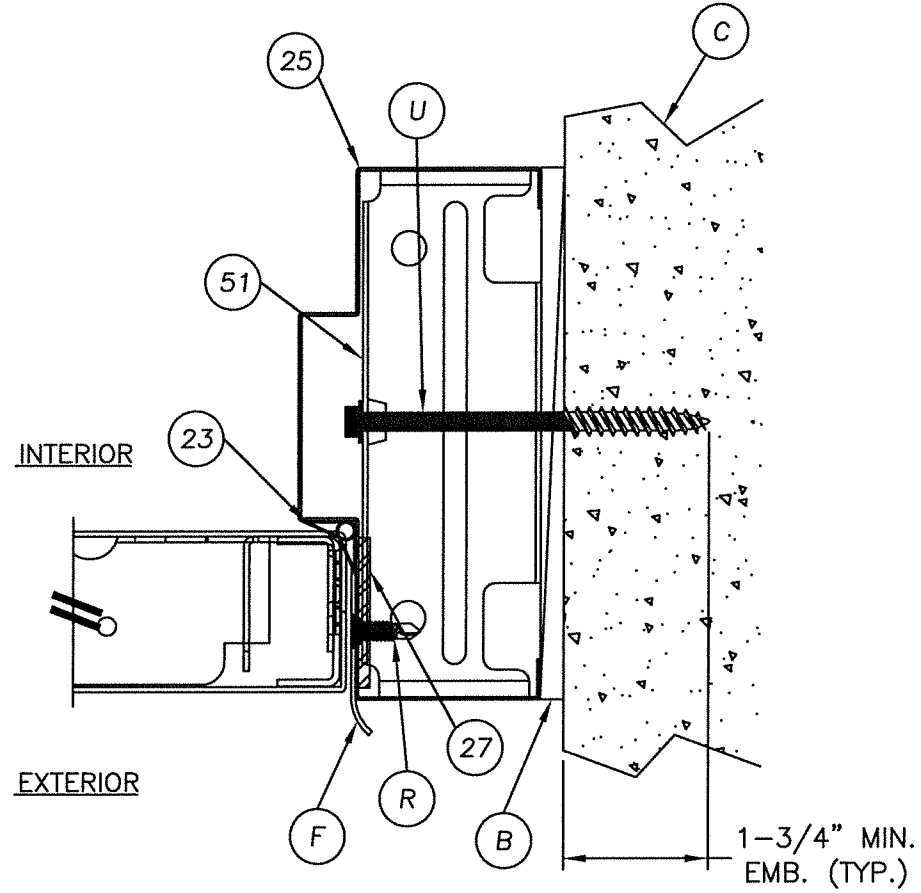


1 HORIZONTAL CROSS SECTION
 5 @ LATCH SHOWN WITH UNIVERSAL ANCHOR



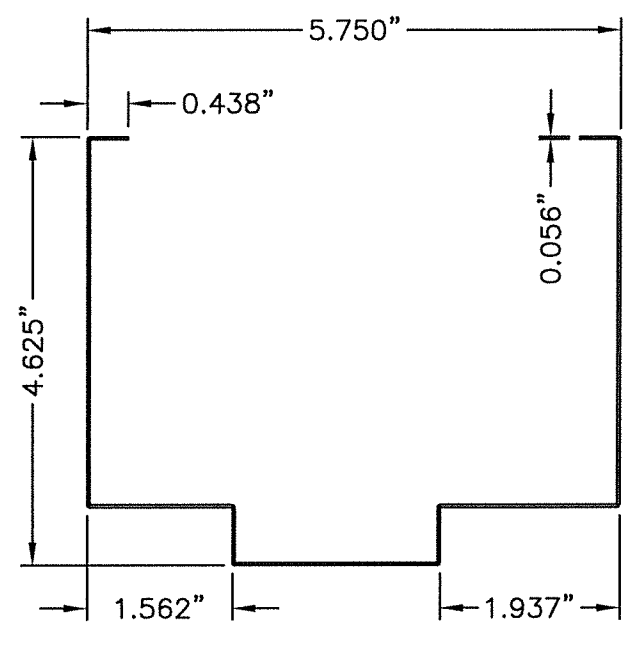
2 HORIZONTAL CROSS SECTION
 5 @ LATCH SHOWN WITH UNIVERSAL ANCHOR

LFS
 November 15, 2022
 Documents Prepared By:
 Lyndon F. Schmidt
 P.E. No. 43409

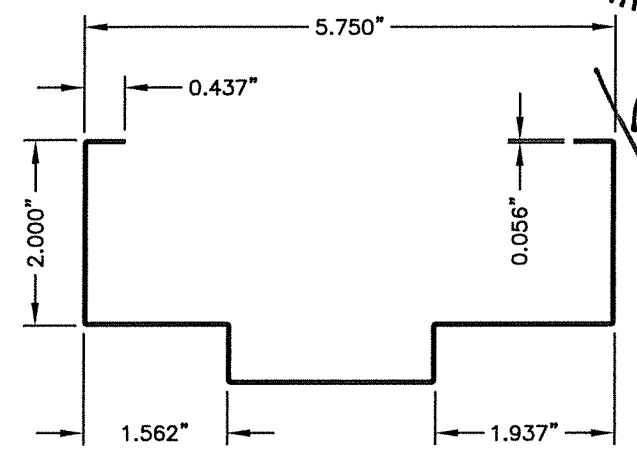
RW
 BUILDING CONSULTANTS, INC.
 P.O. Box 230, Valrico, FL 33595
 Phone No.: 813.659.9197
 FBPE Registry No. 9813

PRODUCT: PREMIER PRODUCTS, INC. "D" PANELS "IMPACT"	
PART OR ASSEMBLY: HORIZONTAL CROSS SECTIONS	
	REVISIONS
	NO. DATE BY
DATE: 11/10/22	
SCALE: N.T.S.	
DWG. BY: LFS	
CHK. BY: RW	
DRAWING NO.: FL-41788.14	
SHEET 5 OF 10	

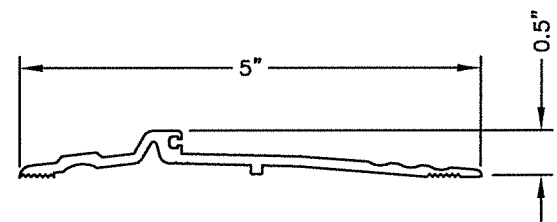
BILL OF MATERIALS		
ITEM	DESCRIPTION	MATERIAL
B	1/4" MAX. SHIM SPACE	WOOD
C	3,000 PSI MIN. CONCRETE CONFORMING TO ACI 301 OR HOLLOW BLOCK CONFORMING TO ASTM C90	CONCRETE
D	DESIGN HARDWARE D2-SERIES DEADBOLT	STEEL
E	DESIGN HARDWARE X-SERIES LATCH (161 PREP)	STEEL
F	LATCH STRIKE PLATE	BRASS
G	DEADBOLT STRIKE PLATE	STEEL
H	VON DUPRIN 99 SERIES RIM PANIC HARDWARE	STEEL
J	RIM PANIC STRIKE PLATE	STEEL
O	#12 X 1" H.H. SELF TAPPING SCREW	STEEL
P	#8 X 3/4" PFH SCREW	STEEL
Q	#12 X 1/2" MACHINE SCREW	STEEL
R	#12 X 3/4" PFH SELF TAPPING MACHINE SCREW	STEEL
T	1/4" X 2-1/4" PFH DeWALT OR ITW CONCRETE SCREW	STEEL
U	5/16" X 4" HWH DeWALT OR ITW CONCRETE SCREW	STEEL
V	MASONRY 'TEE' ANCHOR (PFMT5)	STEEL
W	TUBE ANCHOR	STEEL
X	5/16" X 5" PFH DeWALT OR ITW CONCRETE SCREW	STEEL
1	DOOR STILE EDGE REINFORCEMENT	STEEL
2	DOOR SKIN 16GA (0.055" THK. STEEL, Fy = 40,317 PSI MIN.)	STEEL
3	FOAM (D DOOR) 1.0 PCF MIN. DENSITY	POLYSTYRENE
4	DOOR TOP & BOTTOM CLOSER	STEEL
5	LOCK BOX REINFORCEMENT	STEEL
6	CLOSER REINFORCEMENT	STEEL
21	HINGE	STEEL
22	STD. (LONG) DOOR HINGE REIN. (TOP HINGE PDNLHR 450)	STEEL
23	WEATHERSTRIP	FOAM
24	THRESHOLD WEATHERSTRIP (NATIONAL GUARD PRODUCTS, INC. ITEM #33)	VINYL
25	FRAME 5-3/4" MIN. WITH 2" HEAD	STEEL
26	FRAME 5-3/4" MIN. WITH 4" HEAD	STEEL
27	14GA. (.075") C.R.S. 161 DEADBOLT FRAME REINFORCEMENT (PFDBR4)	STEEL
28	STD. (SHORT) DOOR HINGE REIN.(MIDDLE & BOTTOM) PDNHR450)	STEEL
29	STD. 4-1/2" FRAME HINGE REINFORCEMENT 7GA.(.175" PF4HR)	STEEL
31	LITE FRAME	STEEL
33	#6 X 2" PFH SCREW	STEEL
34	TREMCO SPECTREM II GLAZING COMPOUND	SILICONE
40	OUTSWING THRESHOLD NATIONAL GUARD PRODUCTS, INC. #896	ALUMINUM
41	OUTSWING THRESHOLD NATIONAL GUARD PRODUCTS, INC. #950	ALUMINUM
42	OUTSWING THRESHOLD PEMKO #2005 V	ALUMINUM
44	95WHA DOOR SWEEP NATIONAL GUARD PRODUCTS, INC.	ALUMINUM
51	FRAME REINFORCEMENT	STEEL



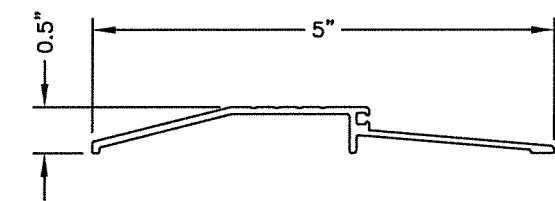
26 FRAME



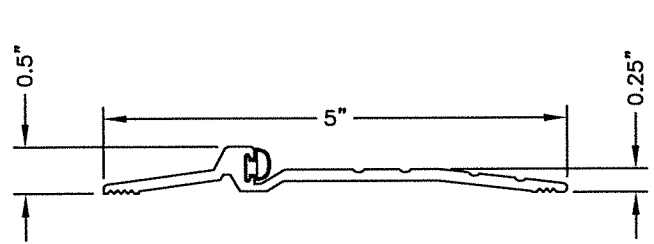
25 FRAME



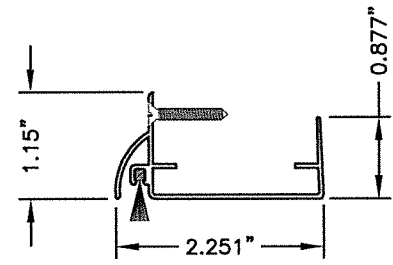
40 THRESHOLD



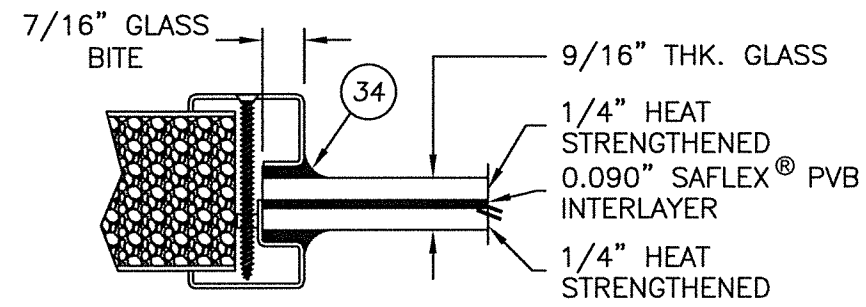
41 THRESHOLD



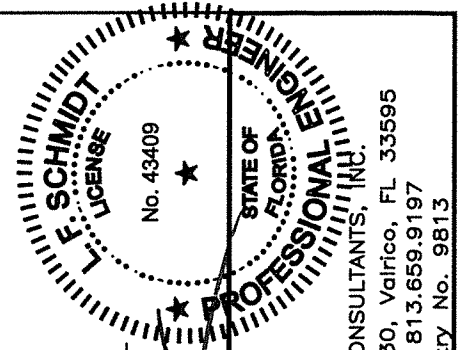
42 THRESHOLD



44 SWEEP



G1 GLAZING DETAIL
9/16" MONOLITHIC GLASS



November 15, 2022
 Documents Prepared By:
 Lyndon F. Schmidt
 P.E. No. 43409
 R.W. BUILDING CONSULTANTS, INC.
 P.O. Box 230, Vairico, FL 33595
 Phone No.: 813.659.9197
 FBPE Registry No. 9813

PRODUCT:
 PREMIER PRODUCTS, INC.
 "D" PANELS "IMPACT"
 PART OR ASSEMBLY:
 BILL OF MATERIALS, GLAZING
 DETAIL & COMPONENTS

NO.	DATE	BY	REVISIONS

DATE: 11/10/22
 SCALE: N.T.S.
 DWG. BY: LFS
 CHK. BY: RW
 DRAWING NO.: FL-41788.14
 SHEET 10 OF 10